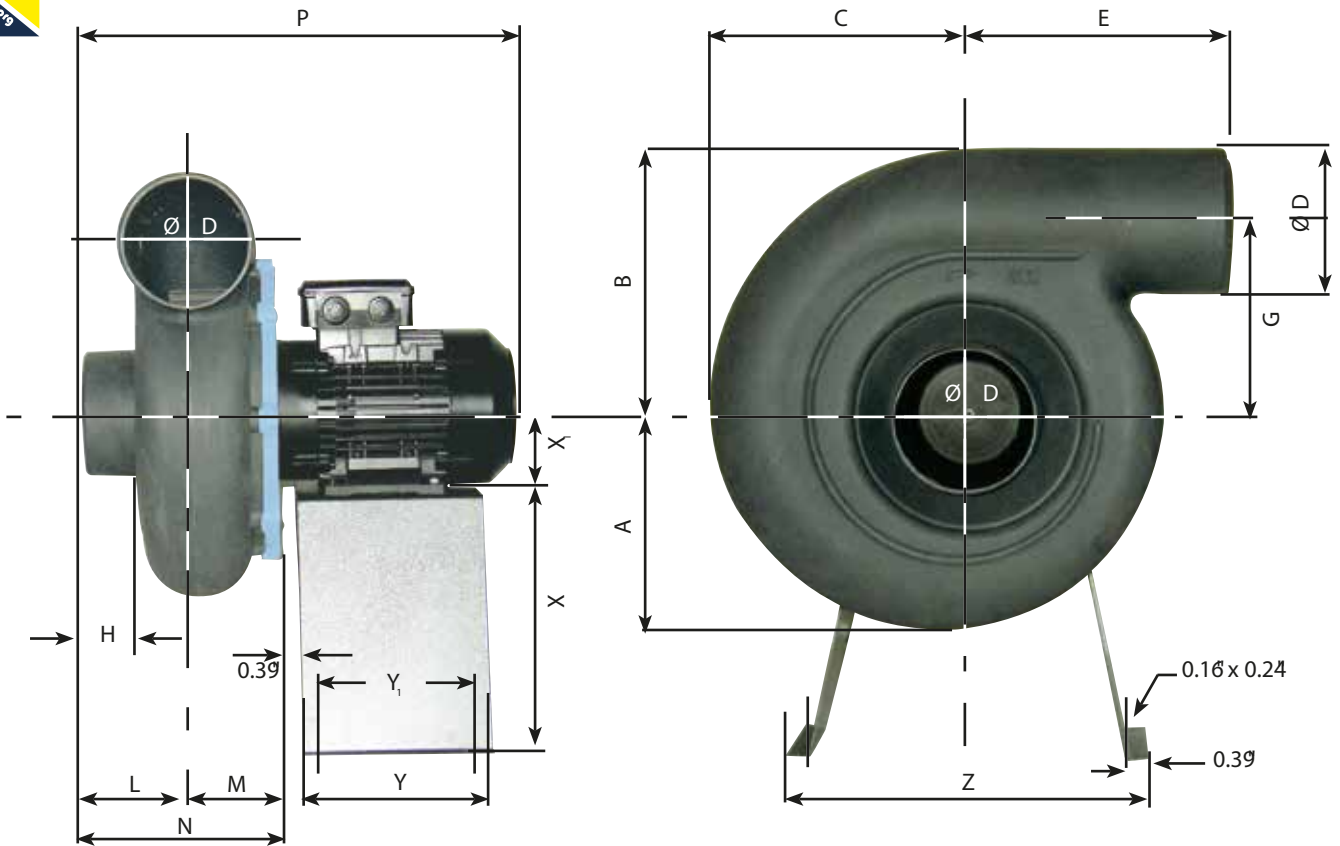




STORM 16



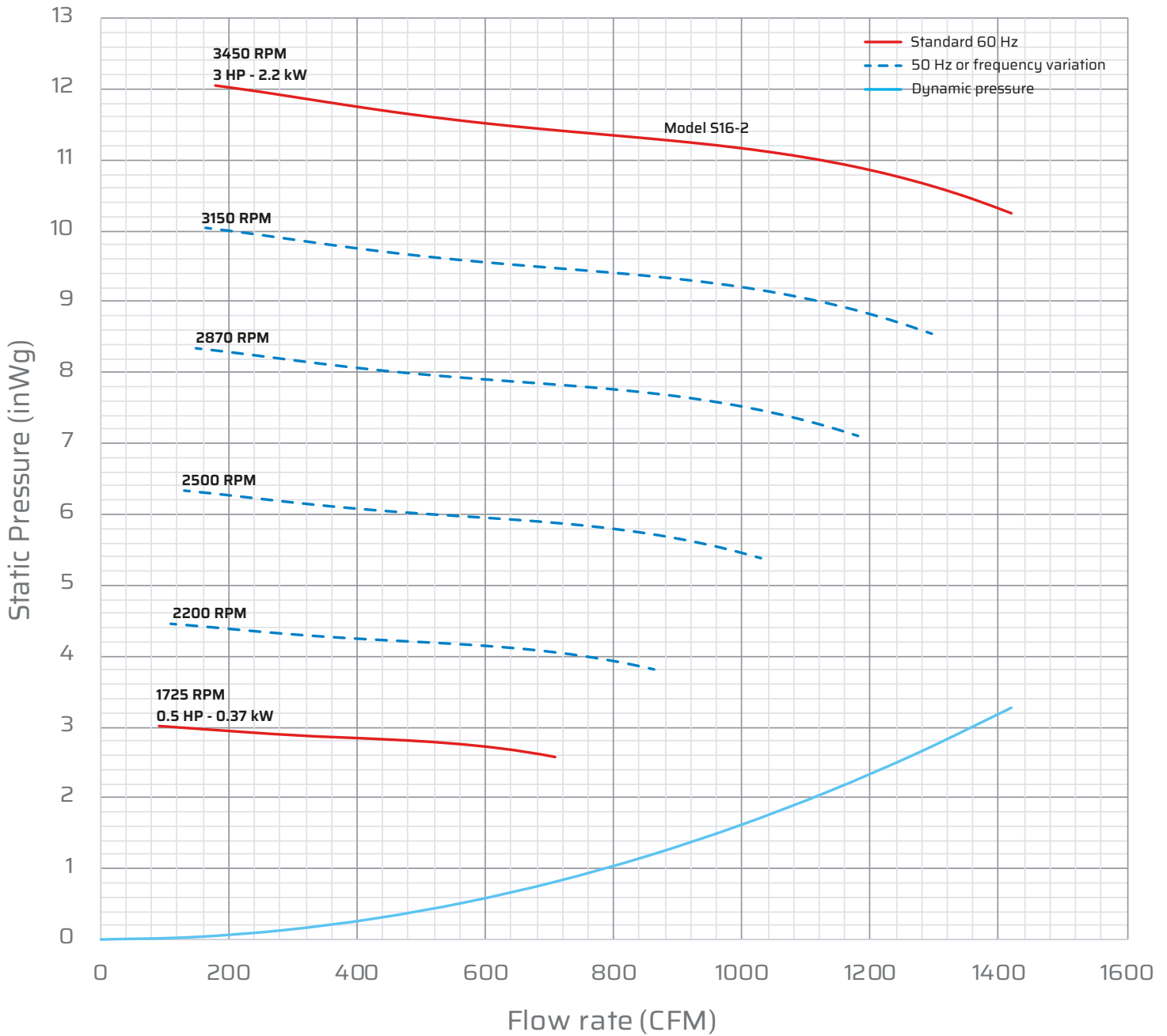
CCW POSITION ONLY

* Pictures and dimensions non-contractual

Dimensional data (inches)															
Metal stand is optional - Motor size may vary upon model															
A	B	C	ØD	E	G	H	L	M	N	P	Y	Y ₁	Z	X	X ₁
9.25	11.34	10.94	6.30	10.31	8.07	1.57	3.94	3.82	7.76	18.78	9.45	6.30	16.54	11.81	3.54

Discharge positions - View from inlet side							
CCW 360	CCW 45	CCW 90	CCW 135	CCW 180	CCW 225	CCW 270	CCW 315

STORM 16



Inlet sound

	Q_v	SP	LwA	LpA *	Octave band (Hz)							
RPM	(CFM)	(inWg)	dB(A)	dB(A)	63	125	250	500	1000	2000	4000	8000
2500	438	6	90	70	103	94	91	86	84	81	77	74
3450	605	11.42	97	77	110	101	98	93	91	88	84	81

* Acoustic pressure Lp at 10 feet - Outlet acoustic data available on request