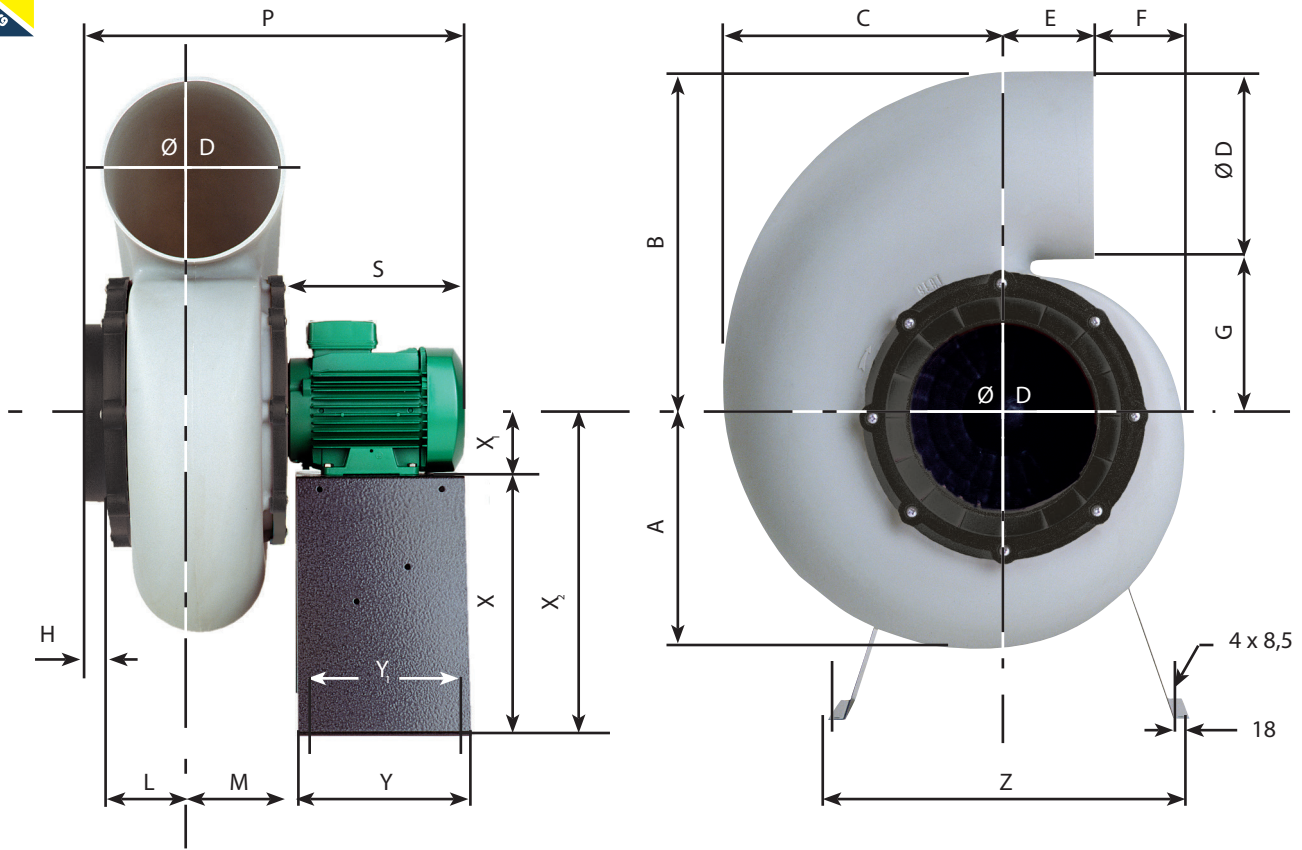




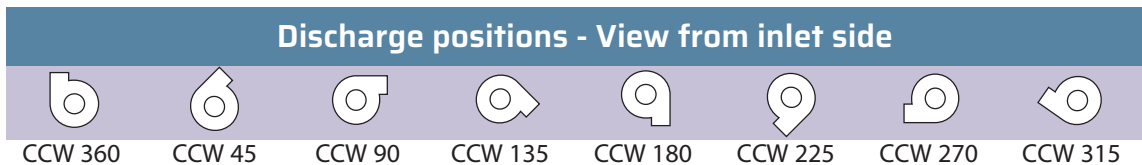
# PLASTEC 35



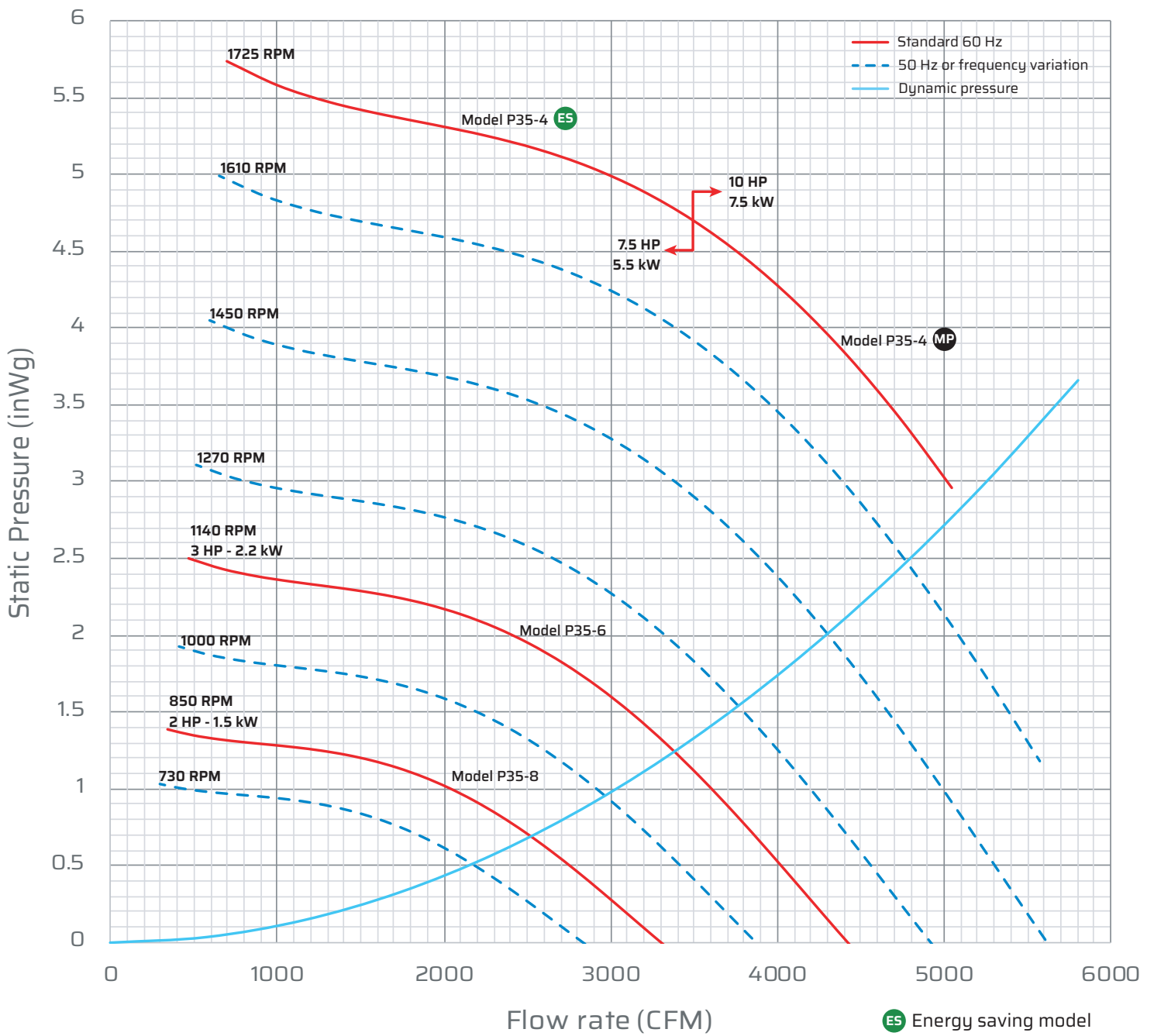
CCW POSITION ONLY

\* Pictures and dimensions non-contractual

Dimensional data																	
Metal stand is optional - Motor size may vary upon model																	
A	B	C	ØD	E	F	G	H	L	M	P	S	Y	Y <sub>1</sub>	Z	X	X <sub>1</sub>	X <sub>2</sub>
14.57	22.44	17.72	12.40	5.12	6.69	10.04	2.36	5.91	6.69	32.36	17.01	13.78	12.36	23.62	18.43	5.20	23.62



# PLASTEC 35



## Inlet sound

RPM	Q <sub>v</sub> (CFM)	SP (inWg)	LwA (dB(A))	LpA * (dB(A))	Octave band (Hz)							
					63	125	250	500	1000	2000	4000	8000
1140	2720	1.75	84	63	90	93	84	80	77	75	72	66
1725	4118	4	93	72	99	102	93	89	86	84	81	75

\* Acoustic pressure Lp at 10 feet - Outlet acoustic data available on request