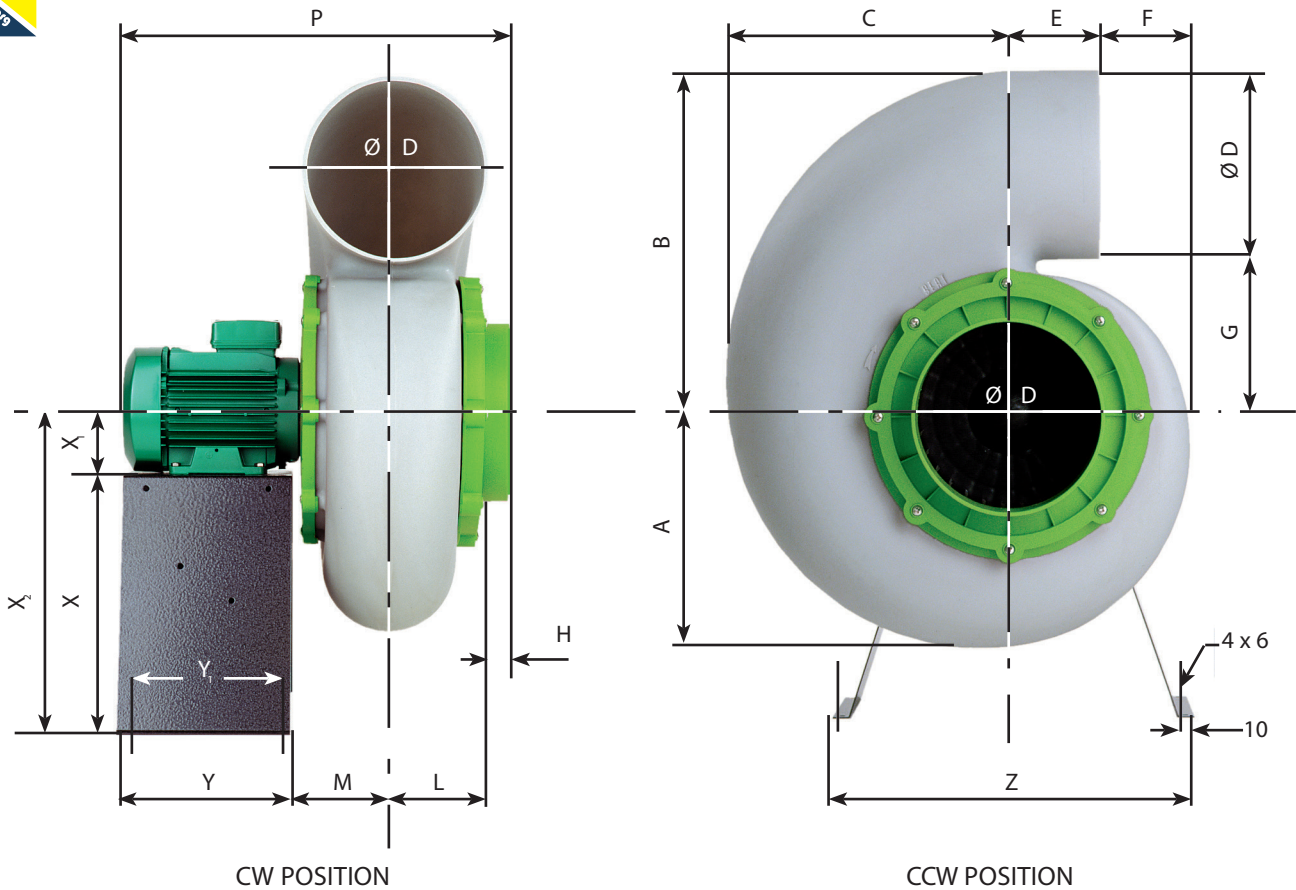




PLASTEC 15

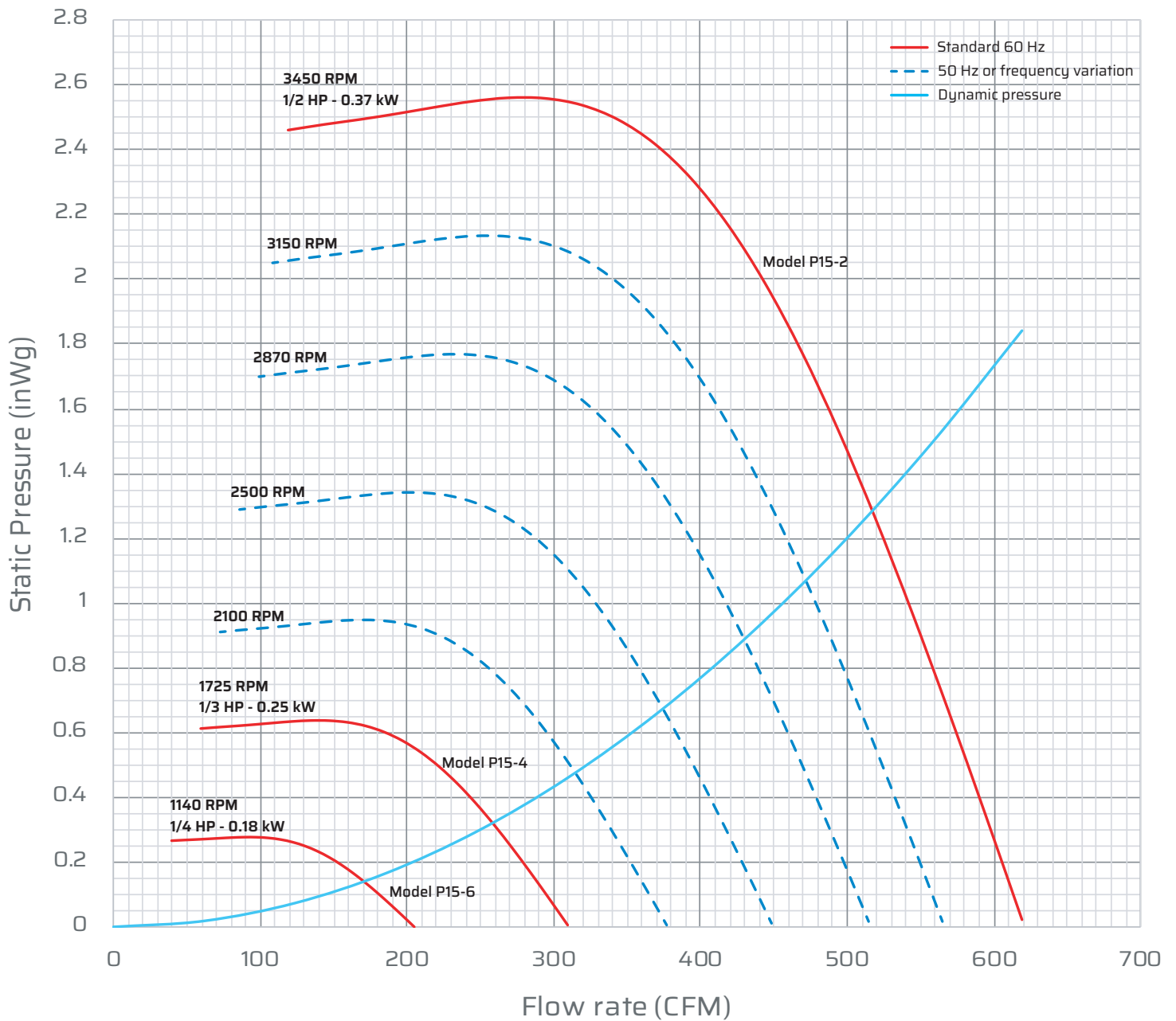


* Pictures and dimensions non-contractual

Dimensional data (inches)																
Metal stand is optional - Motor size may vary upon model																
A	B	C	Ø D	E	F	G	H	L	M	P	Y	Y ₁	Z	X	X ₁	X ₂
6.69	9.45	7.99	4.92	3.94	1.26	4.53	1.18	2.76	3.15	14.17	7.09	6.30	13.39	9.45	2.80	12.24

Discharge positions - View from inlet side							
CCW 360	CCW 45	CCW 90	CCW 135	CCW 180	CCW 225	CCW 270	CCW 315
CW 360	CW 45	CW 90	CW 135	CW 180	CW 225	CW 270	CW 315

PLASTEC 15



Inlet sound

	Q _v	SP	LwA	LpA *	Octave band (Hz)							
RPM	(CFM)	(inWg)	dB(A)	dB(A)	63	125	250	500	1000	2000	4000	8000
1725	171	0.6	70	50	86	80	75	68	63	51	45	36
3450	343	2.4	85	65	101	95	90	83	78	67	61	53

* Acoustic pressure Lp at 10 feet - Outlet acoustic data available on request