

Submittal Data and Specifications

Jet Wall Mounting Bracket (WBJ)

Material of Construction:

All parts are constructed of 11 gauge **304 Stainless Steel**.

Application:

Provides rigid support for JET Series fans mounted on interior or exterior walls. Provides rigid support for inline duct mounted configurations.

Shall have the following Features and Benefits:

- Attractive design.
- Easy to install.
- Supplied mounting hardware to be stainless steel.
- Strong, durable, corrosion and rust resistant.

Warranty:

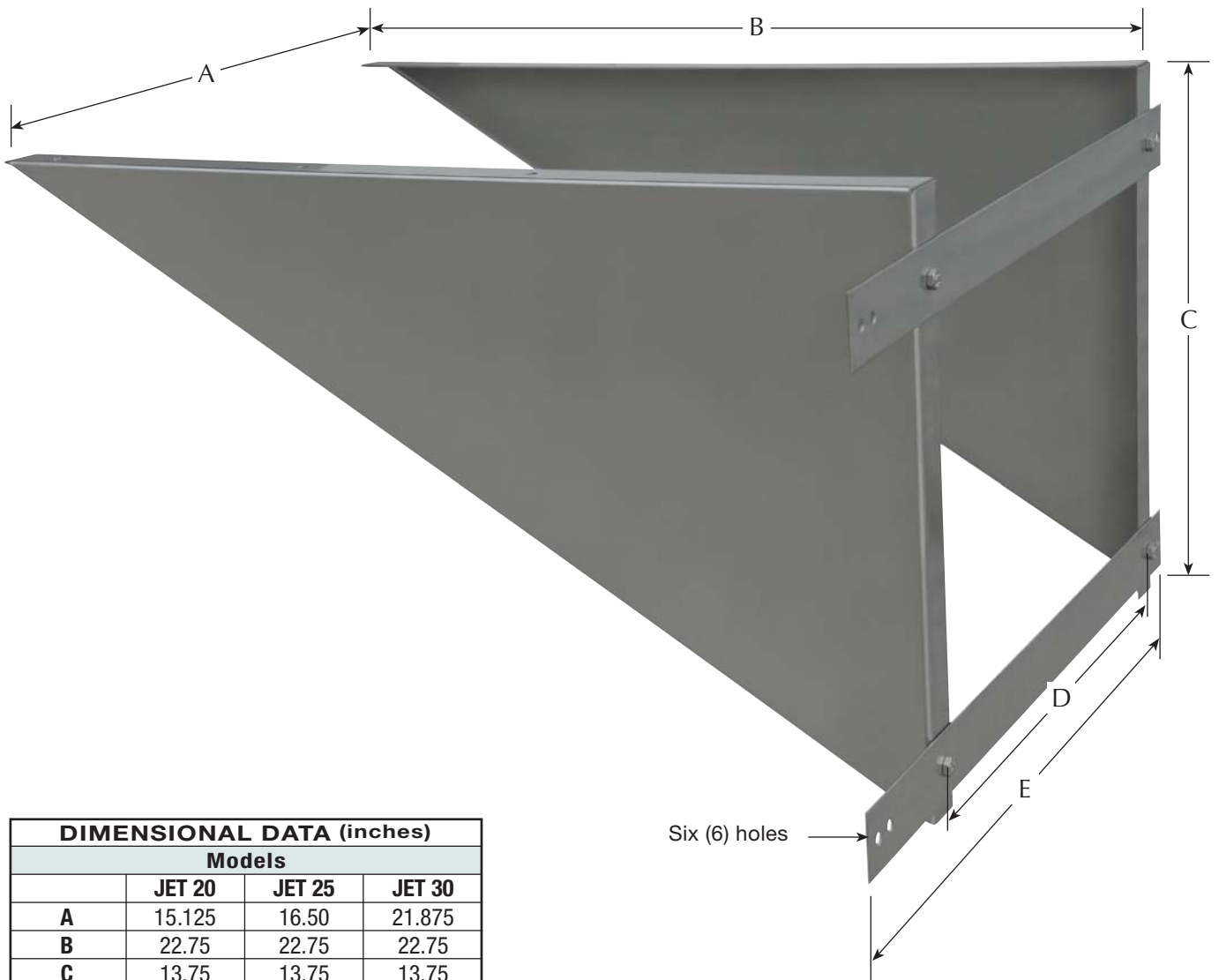
This equipment is warranted to be free from defects in material and workmanship for two years from date of original shipment.



PROJECT			ARCHITECT	
CONTRACTOR	DATE	SUBMITTED BY		ENGINEER
SPECIFICATION				
RELATED FAN POSITION	MODEL #	QTY	NOTES	

Submittal Data and Specifications

JET Series Wall Mounting Bracket



DIMENSIONAL DATA (inches)			
Models			
	JET 20	JET 25	JET 30
A	15.125	16.50	21.875
B	22.75	22.75	22.75
C	13.75	13.75	13.75
D	14.50	18.60	19.75
E	20.00	20.00	25.125