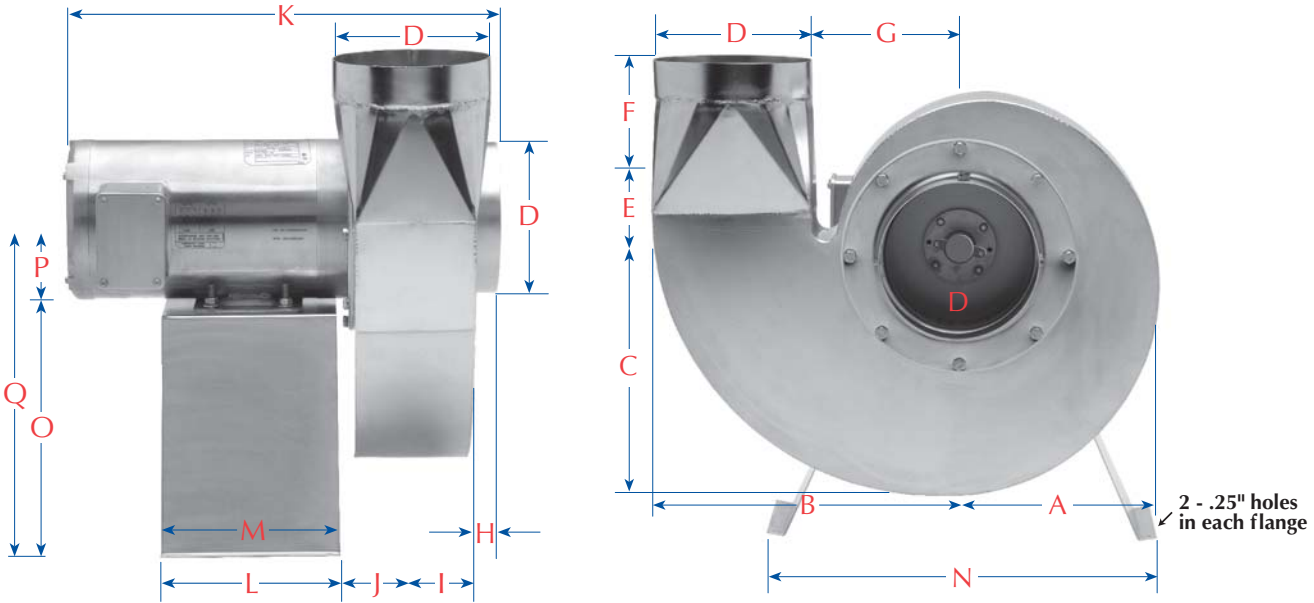


Inlet - Outlet Outside Dimensions (O/D): 6.30 Impeller Diameter: 7.70



316 Stainless Steel Motor Support Stand comes standard with PSS20 Series.

DIMENSIONAL DATA (inches)

A	B	C	D	E	F	G	H	I	J	L	M	N	O
8.25	12.50	12.00	6.30	4.50	1.75	6.50	1.30	2.39	2.39	7.25	6.25	13.75	9.50

K	P	Q	BLOWER TYPE
17.83	3.50	13.00	PSS20SS2PAS
16.33	3.50	13.00	PSS20SS2PGP
18.98	3.50	13.00	PSS20SS2PEP
16.34	3.50	13.00	PSS20SS4PAS
14.46	3.50	13.00	PSS20SS4PGP
17.46	3.50	13.00	PSS20SS4PEP
16.77	3.50	13.00	PSS20ST2PAS
17.45	3.50	13.00	PSS20ST2PPE
14.98	3.50	13.00	PSS20ST2PGP
17.98	3.50	13.00	PSS20ST2PEP
16.68	3.50	13.00	PSS20ST4PAS
14.21	3.50	13.00	PSS20ST4PPE
13.51	3.50	13.00	PSS20ST4PGP
14.89	3.50	13.00	PSS20ST4PEP

ROTATION AND DISCHARGE FOR CENTRIFUGAL FANS

Standard Position



Counter-Clockwise
Up Blast
CCW 360

Optional Field Adjustable Positions



Counter-Clockwise
Top Angular
Up Blast
CCW 45



Counter-Clockwise
Top Horizontal
CCW 90



Counter-Clockwise
Top Angular
Down Blast
CCW 135



Counter-Clockwise
Down-Blast
CCW 180



Counter-Clockwise
Bottom Angular
Down Blast
CCW 225



Counter-Clockwise
Bottom
Horizontal
CCW 270



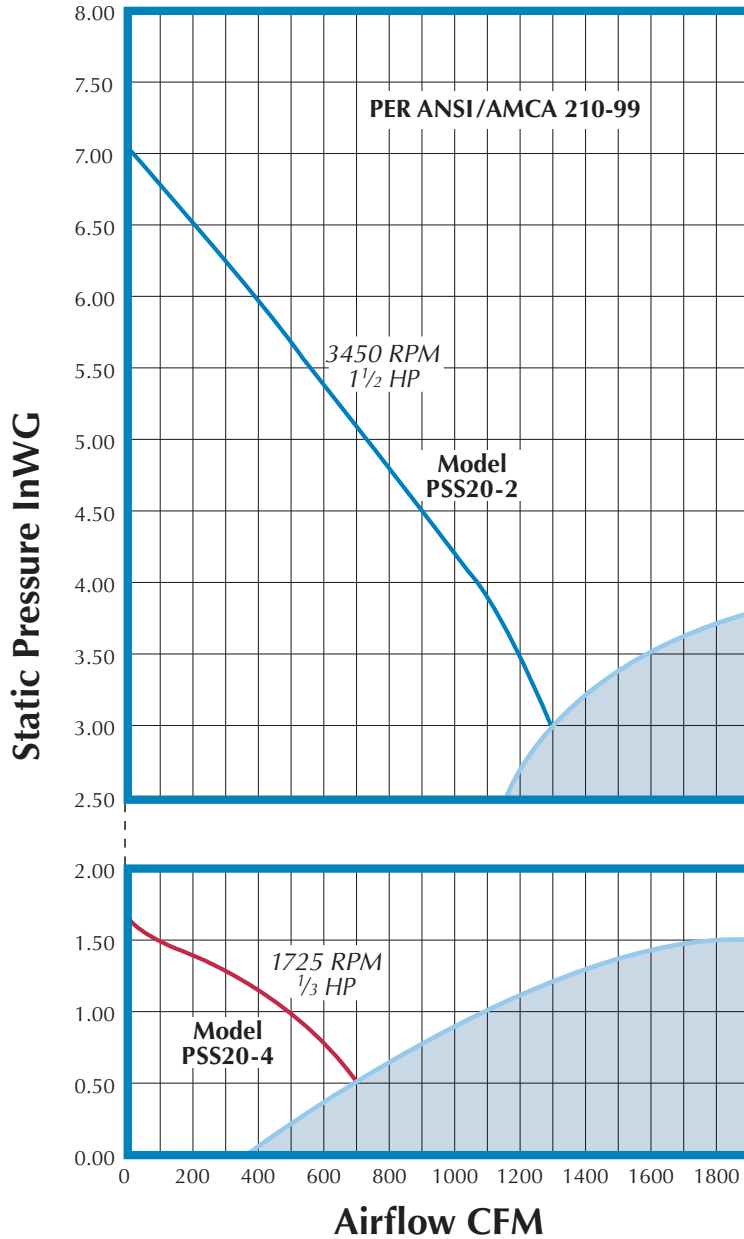
Counter-Clockwise
Bottom Angular
Up Blast
CCW 315

Notes:

- (1) Direction of rotation is determined from the drive side of fan. **Standard position is up-blast CCW 360.**
- (2) On single inlet fans, drive side is always considered as the side opposite fan inlet.
- (3) Clockwise available upon request.

PSS20

CT PLASTICS LLC.
PHONE: (631) 973-4304



PSS mounted to optional WH5 with Inspection Lid closed



PSS mounted to optional WH5 with Inspection Lid open

AMCA BAND NUMBER: CENTER FREQUENCY (Hz):	1 63	2 125	3 250	4 500	5 1000	6 2.0K	7 4.0K	8 8.0K	POINT OF OPERATION
Determination No.: 1									<i>P_s: 0.00 in. wg</i>
<i>L_{wi} (dB):</i>	99 ¹	93 ¹	92 ¹	89 ¹	86 ¹	87 ¹	83 ¹	80 ¹	<i>Q: 1625 cfm N: 3388 rpm</i>
Determination No.: 2									<i>P_s: 4.25 in. wg</i>
<i>L_{wi} (dB):</i>	100 ¹	91 ¹	94 ¹	84 ¹	81 ¹	81 ¹	78 ¹	75 ¹	<i>Q: 1028 cfm N: 3477 rpm</i>
Determination No.: 3									<i>P_s: 4.90 in. wg</i>
<i>L_{wi} (dB):</i>	104 ¹	99 ¹	94 ¹	83 ¹	79 ¹	79 ¹	77 ¹	74 ¹	<i>Q: 651 cfm N: 3509 rpm</i>
Determination No.: 4									<i>P_s: 6.25 in. wg</i>
<i>L_{wi} (dB):</i>	106 ¹	97 ¹	92 ¹	85 ¹	80 ¹	77 ¹	75 ¹	72 ¹	<i>Q: 206 cfm N: 3548 rpm</i>

This data was obtained in a laboratory accredited for AMCA 300 Sound Testing.

Type D, Ducted Inlet/Outlet

AMCA Standard 300-95